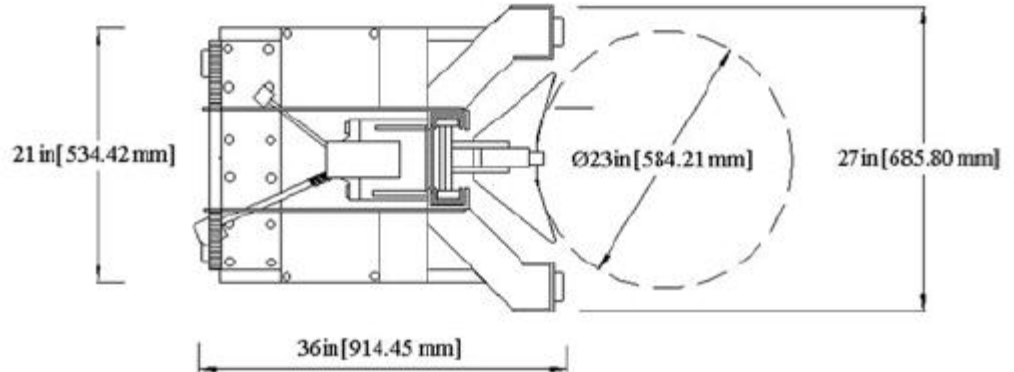


## Ergonomic Drum Transporter Model EL600SL

A simple, safe, and effective method that addresses the risks of manually lifting and lowering drums without a forklift while the drum remains in a vertical position. Straight leg compact design handles drums up to 600 lb. Rolls through standard doorways and tight aisles with ease. Places drums on/off pallets by approaching the corner. The narrow 27" overall width on the EL600SL is capable of handling drums that are nested together. The EG1 clamping head can grip any size plastic, fiber or steel chimed drum and raise to a full twenty inches off the floor. This unit will eliminate strained backs, pinched fingers, and the risk of serious injury caused by manhandling drums.

**Move drums on/off spill pallets or drum dollies without manhandling.**



### Features:

- Drum lift capacity 600 lb. on 12" load center
- Standard drum lift height 20"
- Eagle-Grip® 1 automatic clamping mechanism
- Foot pump lift at .75" per stroke
- Foot lever lowers drums at controlled decent
- Darcor™ ergonomic casters: 5" x 2"
- Step down foot floor lock for added safety
- Powder coating in safety yellow

Item # 99682  
Fob Waterbury, CT