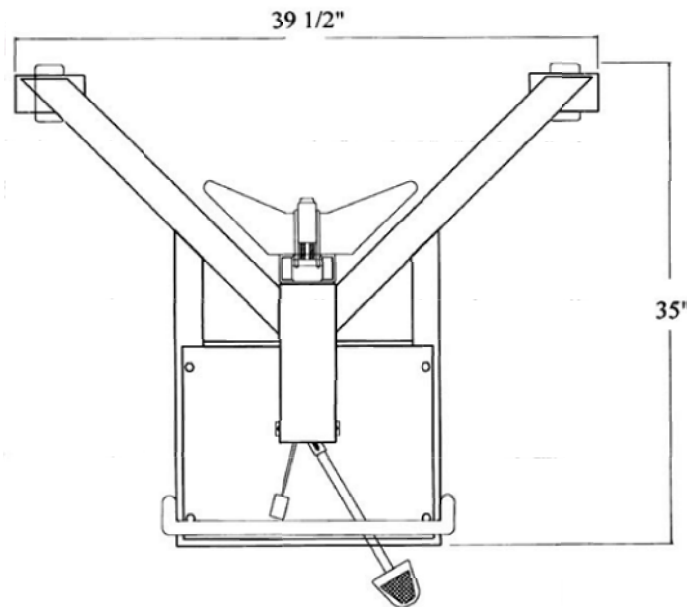


Ergonomic Drum Transporter

A simple, safe, and effective method that addresses the risks of manually lifting and lowering drums without a forklift while the drum remains in a vertical position. The Ergonomic Drum Transporter Model ELE800 can safely and easily pick up any size poly drum, raising and lowering to a full twenty inches. This unit will eliminate strained backs, pinched fingers, and the risk of serious injuries caused by manhandling drums.

Move drums on/off spill pallets or drum dollies without manhandling.



Features:

Convenient foot pedal arrangement ensures easy lowering and lifting of drums.

Capacity to 800 Lbs.

Up to 20 inch lift height.

Steering wheels move 360 degrees for tight aisle maneuvering.

Phenolic wheels with swivel locks for added safety.

EG1 clamping mechanism handles any chimed drum.

Virtually maintenance free operation.

Item # 99681
Fob Waterbury, CT

pharmacal
RESEARCH LABORATORIES, INC.

562 Captain Neville Dr. Waterbury, CT. 06705 800-243-5350